

5 VC MODEL Cartridge Filter Housings



The Model 5VC is a three-piece, all-polyvinylchloride (PVC) filter housing featuring stainless steel cover clamps, offering economical filtration for water, seawater, chemicals, photographic solutions, plating and other corrosive applications. Do not use for compressed air or gas, and non-conductive liquids (example: oils).

The Model 5VC housing features all plastic internal components. Filter cartridges center solidly on the PVC fluted centering post; threaded PVC seal nuts ensure a reliable seal. The PVC cartridge posts thread into the lower cartridge pedestal, easing removal.

The stainless steel tee-bolt housing clamps offer easy cover removal for quick cartridge changeout or fast housing dismantling or flushing. The nitrile O-ring gasket assembles to the cover for a reliable fit; once fitted, the gasket cannot fall off. The cover automatically aligns the gasket with the housing shell for a solid seal, to take the guesswork out of seal alignment.

The conveniently located cover vent lets the user quickly and easily vent the housing before start-up.

The Model 5VC housing uses up to 15 cartridges in modular lengths from 9 3/4" to 10". The housing has a water flow rate of up to 105 gpm. Operating pressure is as follows:

Applicable Filter Cartridges

Micro-Klean® III	Beta-Klean®
Econo-Klean®	Activated Carbon
Betapure®	Betafine®
MPF® II	

Design Features

- Construction - Economical all plastic.
- Cartridge Flexibility Uses 9 3/4" or 10" modular cartridges
- Low-cost, durable, all plastic internal components
- Tee-bolt cover clamp for quick cartridge change-out and cleaning
- O-ring gasket fits into cover; once in place it can't fall out.
- Cover automatically aligns gasket with housing shell for positive seal.
- Completely removable cartridge posts
- Cover vent for ease of use.

Options

- EPR and Fluorocarbon gaskets

Standard Model Specifications

Table 1 lists standard specifications for the 5VC filter housing. The Maximum Operating Pressure is the rating from the housing only. Actual filter operating temperature depends on temperature capability of the filter cartridge. The standard gasket is nitrile.

Operating Data	
Maximum Operating Pressure and Temperature	125 psi at 85°F
	115 psi at 90°F
	95 psi at 100°F
	75 psi at 110°F
	60 psi at 120°F
Flow Rates	See Table 3
Basic Materials of Construction	
Cover and shell	PVC
Cover clamps	Stainless Steel
Cover Gasket	Nitrile
Cartridge posts & seal nuts	PVC
Connection Sizes	
Inlet/Outlet	2" NPTF
Vent	1/4" NPTF
Other Information	
Options	EPR & Fluorocarbon cover gaskets (order separately)

TABLE 1 - MODEL 5VC SPECIFICATIONS

BENEFITS

- Versatile - uses 9 3/4" or 10" filter cartridges for greater flexibility
- Quick, Clean, and Convenient Cartridge Changeout
- Reliable cover seal takes the guesswork out of cover alignment
- Easy to install, clean, and maintain



Cartridge Requirements

The Model 5VC housing accepts either single or multiple length filter cartridges in 9 3/4" or 10" lengths. Table 2 lists the number of filter cartridges required for each model.

Model	Number of Filter Cartridges Required	
	Multiple Length	Single Length
5VC2	5 (19 1/2" or 20")	10 (9 3/4" or 10")
5VC3	5 (29 1/4" or 30")	15 (9 3/4" or 10")

TABLE 2 - REQUIRED FILTER CARTRIDGES

Housing Flow

Table 3 lists the maximum recommended flow rates for the Model 5VC filter housing. Do not use this for filter sizing. Once the required cartridge flow rate is known, use the information in table 3 to verify that the selected filter housing is within the recommended flow rate.

Model	Flow Rate (gpm) at Various Viscosities					
	Water	80 SSU	150 SSU	300 SSU	600 SSU	1000 SSU
5VC2	105	82	70	58	48	41
5VC3						

TABLE 3 - HOUSING FLOW RATES

Standard Model Dimensions

Table 4 lists dimensions, in inches, and shipping weight, in pounds, for the Model 5VC housings. To find a dimension, locate the model in the left column and the selected dimension symbol in the top row. The square where the row and column meet is the selected dimension. For critical installations, request a certified drawing.

Housing Model	A	B	C	D	Shipping Weight
5VC2	38 3/8"	11 7/8"	7 5/16"	4 7/8"	55 lb
5VC3	48 3/8"				63 lb

TABLE 4 - MODEL 5VC DIMENSIONS

WARRANTY

Seller warrants its equipment against defects in workmanship and material for a period of 12 months from date of shipment from the factory under normal use and service and otherwise when such equipment is used in accordance with instructions furnished by Seller and for purposes disclosed in writing at the time of purchase, if any. Any unauthorized alteration or modification of the equipment by Buyer will void this warranty. Seller's liability under this warranty shall be limited to the replacement or repair, F.O.B. point of manufacture, of any defective equipment or part which, having been returned to the factory, transportation charges prepaid, has been inspected and determined by the Seller to be defective. THIS WARRANTY IS IN LIEU OF ANY OTHER WARRANTY, EITHER EXPRESSED OR IMPLIED, AS TO DESCRIPTION, QUALITY, MERCHANTABILITY, FITNESS FOR ANY PARTICULAR PURPOSE OR USE, OR ANY OTHER MATTER. Under no circumstances shall Seller be liable to Buyer or any third party for any loss of profits or other direct or indirect costs, expenses, losses or consequential damages arising out of or as a result of any defects in or failure of its products or any part or parts thereof or arising out of or as a result of parts or components incorporated in Seller's equipment but not supplied by the Seller.

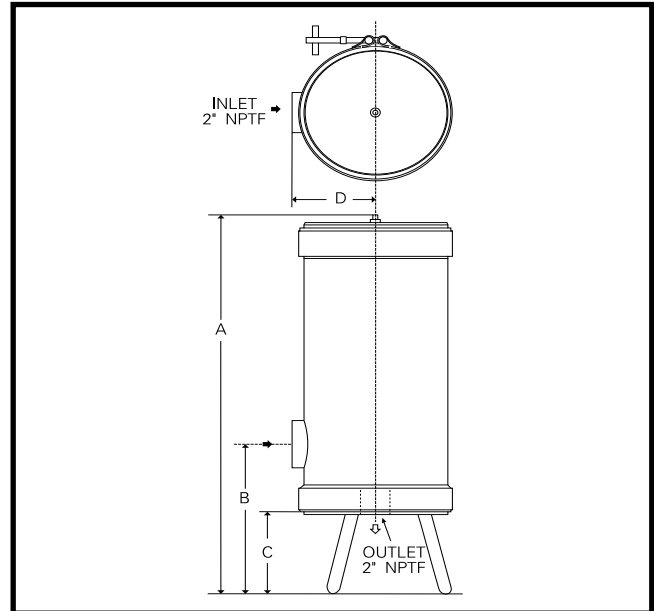


FIGURE 1 - MODEL 5VC HOUSING

5VC MODEL ORDERING GUIDE

Plant Code 01 Product Code 020

Housing Model	Basic Catalog Number
5VC2	44668-02
5VC3	44668-03

Optional Gaskets - Order Separately

Description	Quantity Required	Catalog Number
EPR Cover Gasket	2	37589-32
Fluorocarbon Cover Gasket	2	35490-35

Your Area Distributor is:

Service Worldwide

Visit us at www.cuno.com



Fluid Purification

CUNO Pacific Pty Ltd
140 Sunnyside Road
Blacktown, NSW 2148
Australia

CUNO Europe SA
Chemin du Contre Halage
62730 - Les Attaques
France

CUNO Srl
Via Zara, 38
20032 Cormano (MI)
Italy

CUNO Filtration Asia Pte Ltd
18 Tuas Link 1 (3rd Floor)
Singapore 638597

CUNO Latina Ltda
Rua Amf Do Brasil 251
18120 Mairinque-Sp
Brazil

CUNO GmbH
Wihl-Th-Römheld-Str. 32
55130 Mainz
Germany

CUNO K.K.
Hodogaya Station
Building 6F
1-7 Iwai-cho, Hodogaya-ku
Yokohama 240 Japan

CUNO Ltd
21 Woking Business Park
Albert Drive
Woking, Surrey GU215JY
United Kingdom

Cuno Incorporated

400 Research Parkway
Meriden, CT 06450, U.S.A.

Tele: (800) 243-6894

(203) 237-5541

Fax: (203) 238-8977